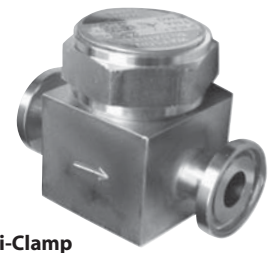


Model	<b>FDA800</b>
Sizes	<b>1/2"</b>
Connections	<b>Tri-Clamp, NPT, Tube Weld</b>
Body Material	<b>Stainless Steel</b>
PMO Max. Operating Pressure	<b>150 PSIG</b>
TMO Max. Operating Temperature	<b>500°F</b>
PMA Max. Allowable Pressure	<b>230 PSIG @ 850°F</b>
TMA Max. Allowable Temperature	<b>850°F @ 230 PSIG</b>



NPT



Tri-Clamp

### Typical Applications

**DRIP:** The **FDA800 Series** thermodynamic clean steam traps are used as drip traps on steam mains in CIP/SIP systems and drainage for separators and filters.

### How It Works

Using the thermodynamic properties of flash steam, this trap features a disc that is pushed open by incoming condensate, then closes tightly when steam enters the trap. Because it normally operates in an open position, condensate is continuously discharged from the line. Steam entering the trap creates an internal pressure that forces the valve to close tightly, preventing the steam from escaping.

### Features

- Small and compact
- All 316L stainless steel components
- Works in any position (horizontal preferred)

### Sample Specification

The steam trap shall be a thermodynamic disc type with an all 316L stainless steel construction and integral seat design. Unit shall be capable of installation in any orientation and self-draining when mounted vertically.

### Installation and Maintenance

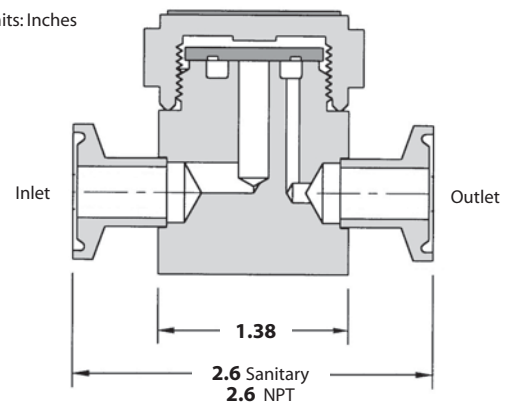
Can be installed in any position; however, horizontal is preferred. For self-draining requirements, the trap should be installed vertically. Installation should include a strainer before the trap inlet since dirt is a common cause of premature failure.

### MATERIALS

Body	Stainless Steel, AISI 316L
Disc	Stainless Steel, AISI 316L
Cap	Stainless Steel, AISI 316L

Size/Connection Inlet x Outlet	Model Code	PMO PSI	Weight lbs
1/2" TC x TC	<b>FDA800-12-TCTC</b>	150	1.5
1/2" TW x TW	<b>FDA800-12-TWTW</b>	150	1.5
1/2" NPT x NPT	<b>FDA800-12-NPNP</b>	150	1.5

Units: Inches



### CAPACITIES — Condensate (lbs/hr)

Size	Differential Pressure (PSI)											
	3.5	5	10	15	20	25	30	40	50	75	100	150
1/2"	180	185	190	195	200	215	220	230	250	310	375	500

**Note:** Maximum back pressure not to exceed 80% of inlet pressure.